

TRIVE™

Access & Power Integration



Trove1C1

- Trove1 enclosure with Altronix/CDVI backplane (TC1)

TC1

- Altronix/CDVI backplane only

Trove2CV2

- Trove2 enclosure with Altronix/CDVI backplane (TCV2)

TCV2

- Altronix/CDVI backplane only

Trove3CV3

- Trove3 enclosure with Altronix/CDVI backplane (TCV3)

TCV3

- Altronix/CDVI backplane only

Installation Guide



More than just power.™

All registered trademarks are property of their respective owners.

Rev. TCDVI011117

Installing Company: _____ Service Rep. Name: _____

Address: _____ Phone #: _____

Overview:

Trove1C1, Trove2CV2 and Trove3CV3 accommodate various combinations of CDVI boards with or without Altronix power supplies and accessories for access control systems.

Specifications:

- 16 Gauge backplane and enclosure with ample knockouts for convenient access.

Trove1C1

Trove1 enclosure with
TC1 Altronix/CDVI backplane

- Includes: tamper switch, cam lock, and mounting hardware.
Enclosure Dimensions (H x W x D):
18" x 14.5" x 4.625"
(457mm x 368mm x 118mm).

TC1

Altronix/CDVI backplane only

- Includes mounting hardware.
Dimensions (H x W x D):
16.625" x 12.5" x 0.3125"
(422.3mm x 317.5mm x 7.9mm).

TC1 accommodates a combination of the following:

Altronix Modules:

- One (1) AL400ULXB2, AL600ULXB, AL1012ULXB, AL1024ULXB2, eFlow4NB, eFlow6NB, eFlow102NB or eFlow104NB.
- One (1) ACM4(CB), MOM5, PD4UL(CB), PD8UL(CB), PDS8(CB), VR6.

CDVI Modules:

- Four (4) A22K/A22NB/ADH10 modules.

Trove2CV2

Trove2 enclosure with
TCV2 Altronix/CDVI backplane

- Includes: tamper switch, cam lock, and mounting hardware.
Enclosure Dimensions (H x W x D):
27.25" x 21.75" x 6.5"
(692.15mm x 552.5mm x 165.1mm).

TCV2

Altronix/CDVI backplane only

- Includes mounting hardware.
Dimensions (H x W x D):
25.375" x 19.375" x 0.3125"
(644.5mm x 482.6mm x 7.9mm).

TCV2 accommodates a combination of the following:

Altronix Modules:

- Two (2) AL400ULXB2, AL600ULXB, AL1012ULXB, AL1024ULXB2, eFlow4NB, eFlow6NB, eFlow102NB or eFlow104NB.
- One (1) ACM8(CB), or two (2) MOM5, PD4UL(CB), PD8UL(CB), PDS8(CB), VR6.

CDVI Modules:

- Five (5) A22K/A22NB/ADH10 modules.

Trove3CV3

Trove3 enclosure with
TCV3 Altronix/CDVI backplane

- Includes: two (2) tamper switches, cam lock, and mounting hardware.
Enclosure Dimensions (H x W x D):
36.12" x 30.125" x 7.06"
(917.5mm x 768.1mm x 179.3mm).

TCV3

Altronix/CDVI backplane only

- Includes mounting hardware.
Dimensions (H x W x D):
34" x 28" x 0.3125"
(863.6mm x 711.2mm x 7.9mm).

TCV3 accommodates a combination of the following:

Altronix Modules:

- Up to four (4) AL400ULXB2, AL600ULXB, AL1012ULXB, AL1024ULXB2, eFlow4NB, eFlow6NB, eFlow102NB or eFlow104NB.
- Up to four (4) ACM8(CB), MOM5, PD4UL(CB), PD8UL(CB), PDS8(CB), VR6.

CDVI Modules:

- Ten (10) A22K/A22NB/ADH10 modules.

Agency Listings:

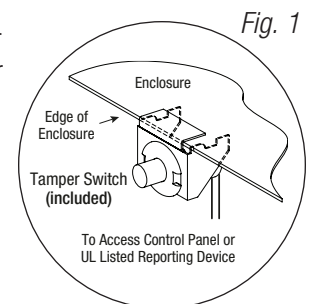
- UL 294 - 6th edition: Line Security I, Destructive Attack I, Endurance IV, Stand-by Power II*.
* Stand-by Power Level I if no battery is supplied.
- This Class B digital apparatus complies with Canadian ICES-003.
Cet appareil numérique de la classe B est conforme à la norme NMB-003 du Canada.
- CE European Conformity.

Installation Instructions for Trove1, Trove2, Trove3:

1. Remove backplane from enclosure prior to mounting (do not discard hardware).
2. **Trove1C1 (Pg. 8):**
Mark and predrill holes on the wall to line up with the top two keyholes in the enclosure. Install two upper fasteners and screws in the wall with the screw heads protruding. Place the enclosure's upper keyholes over the two upper screws; level and secure. Mark the position of the lower two holes. Remove the enclosure. Drill the lower holes and install the two fasteners. Place the enclosure's upper keyholes over the two upper screws. Install the two lower screws and make sure to tighten all screws.

Trove2CV2 and Trove3CV3 (Pg. 10 and Pg. 12):

- Mark and predrill holes on the wall to line up with the top three keyholes in the enclosure. Install three upper fasteners and screws in the wall with the screw heads protruding. Place the enclosure's upper keyholes over the three upper screws; level and secure. Mark the position of the lower three holes. Remove the enclosure. Drill the lower holes and install the three fasteners. Place the enclosure's upper keyholes over the three upper screws. Install the three lower screws and make sure to tighten all screws.
3. Mount included UL Listed tamper switch(es) (Altronix Model TS112 or equivalent) in desired location, opposite hinge. Slide the tamper switch bracket onto the edge of the enclosure approximately 2" from the right side (Fig. 1, pg. 2). Connect tamper switch wiring to the Access Control Panel input or the appropriate UL Listed reporting device. To activate alarm signal open the door of the enclosure.
4. Mount Altronix/CDVI modules to TC1, TCV2 or TCV3 backplane, refer to pages 3, 4, 5.



TC1: Configuration of Altronix Power Supply and/or Sub-Assembly Boards and CDVI Modules

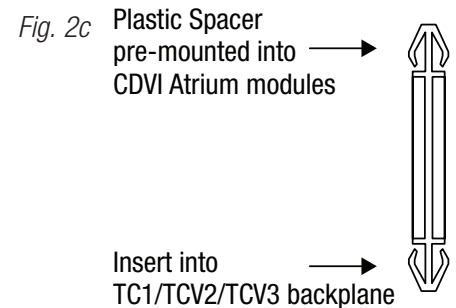
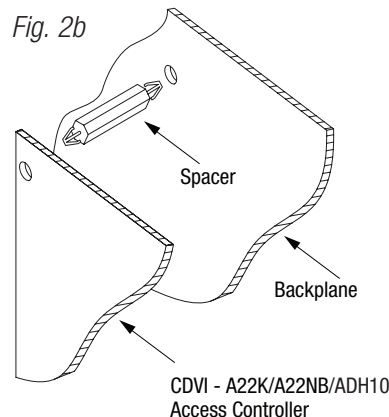
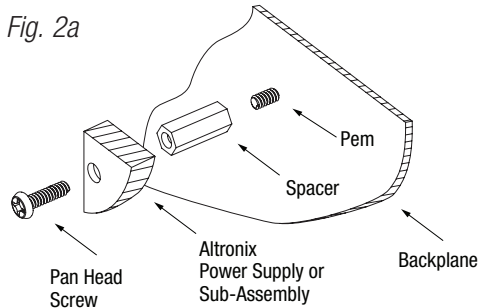
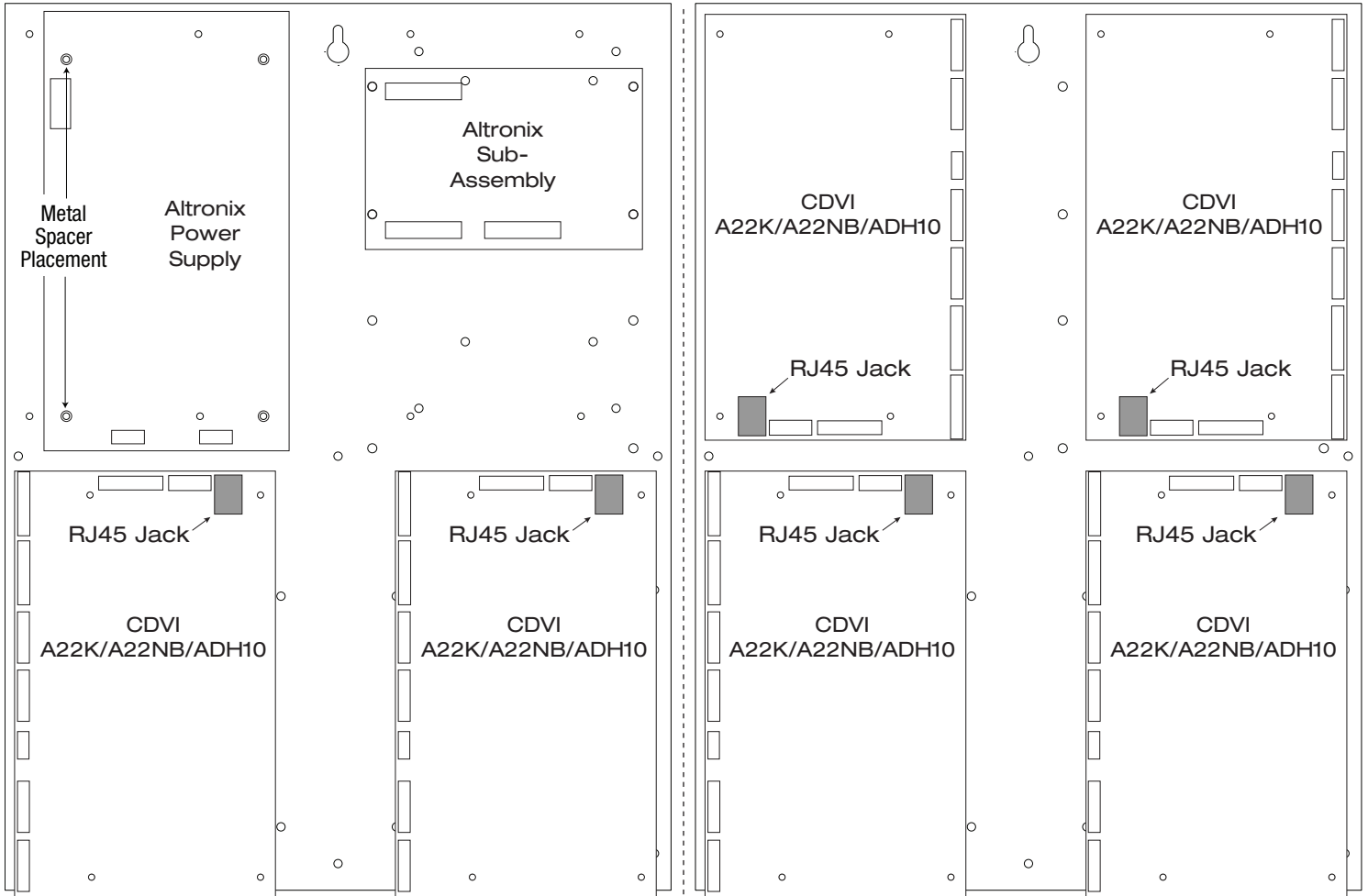
1. Fasten spacers (provided) to pems that match the hole pattern for Altronix Power Supply/Chargers or Altronix Sub-Assembly boards (Fig. 2, pg. 3). Fasten metal spacers in the correct locations to provide proper grounding, see below (Fig. 2, pg. 3).
2. Mount boards to spacers utilizing 5/16" pan head screws (provided) (Fig. 2a, pg. 3).
3. Mount appropriate CDVI A22K/A22NB/ADH10 modules into the correct positions (Fig. 2, pg. 3) by positioning spacers over appropriate holes on the backplane and depress down on board to secure spacer to the backplane (Fig. 2, 2b, 2c, pg. 3).

Note: CDVI A22K/A22NB/ADH10 modules have one (1) RJ45 jack each.

Please make sure that they are mounted correctly, as shown in Fig. 2 below.

4. Fasten TC1 backplane to Trove1 enclosure utilizing pan head screws (provided).

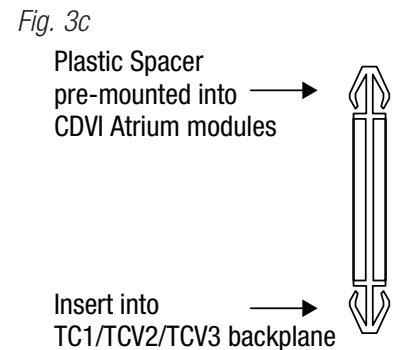
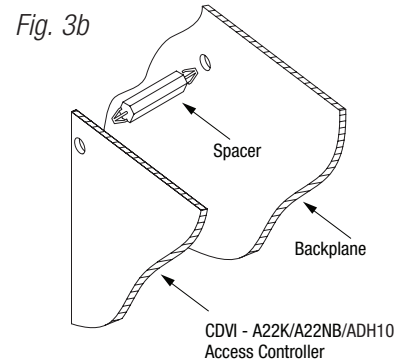
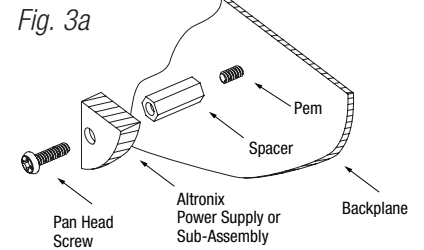
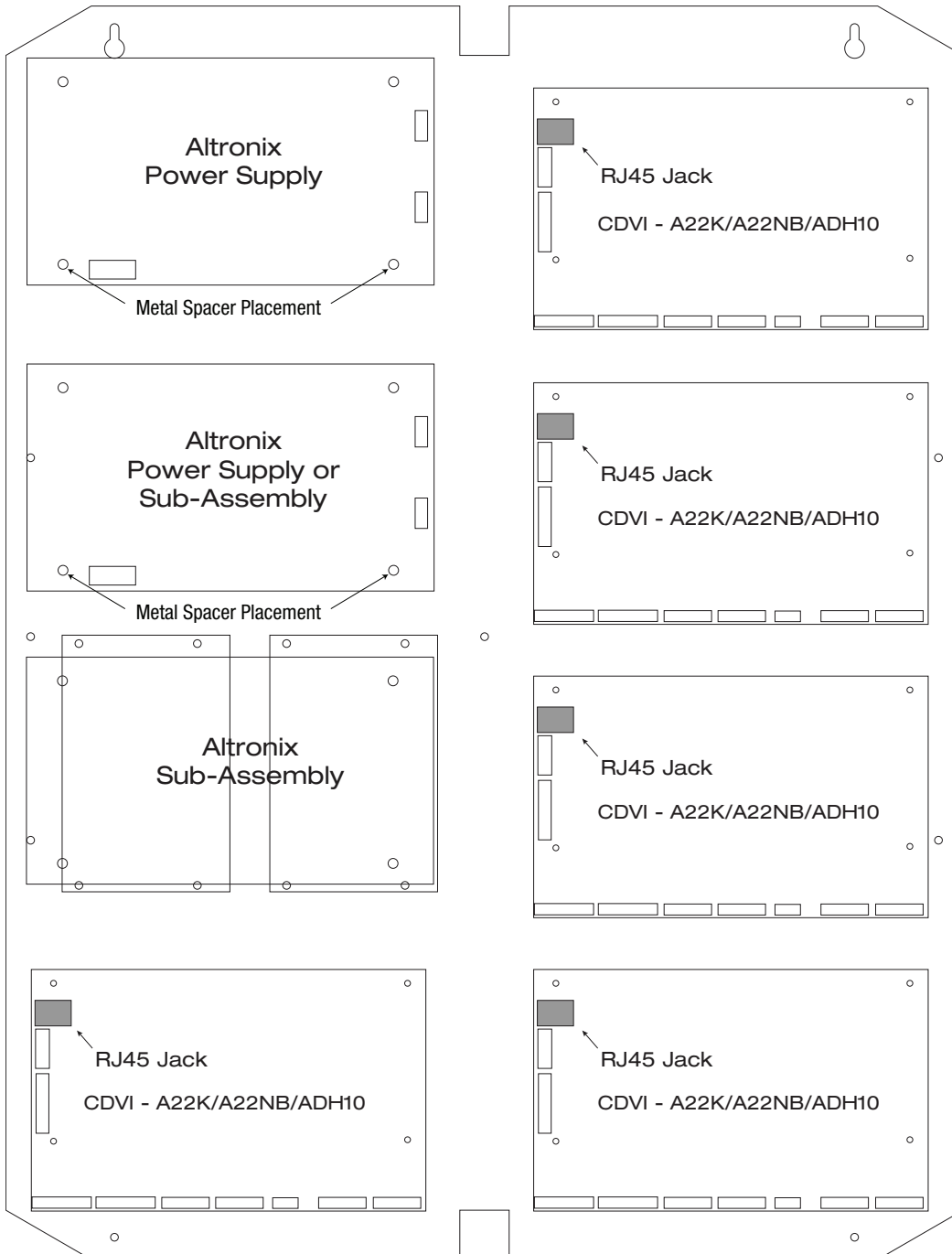
Fig. 2 - Trove1C1/TC1 Configurations



TCV2: Configuration of Altronix Power Supply and/or Sub-Assembly Boards and CDVI Modules

1. Fasten spacers (provided) to pems that match the hole pattern for Altronix Power Supply/Chargers or Altronix Sub-Assembly boards (Fig. 3, pg. 4). Fasten metal spacers in the correct locations to provide proper grounding, see below (Fig. 3, pg. 4).
Note: Altronix sub-assembly position can accommodate either one (1) ACM8/ACM8CB or two (2) PD4UL/PD4ULCB, PD8UL/PD8ULCB or MOM5.
2. Mount boards to spacers utilizing 5/16" pan head screws (provided) (Fig. 3a, pg. 4).
3. Mount appropriate CDVI A22K/A22NB/ADH10 modules into the correct positions (Fig. 3, pg. 4). by positioning spacers over appropriate holes on the backplane and depress down on board to secure spacer to the backplane (Fig. 3, 3b, 3c, pg. 4).
Note: CDVI A22K/A22NB/ADH10 modules have one (1) RJ45 jack each. Please make sure that they are mounted correctly, as shown in Fig. 3 below.
4. Fasten TCV2 backplane to Trove2 enclosure utilizing pan head screws (provided).

Fig. 3 - Trove2CV2/TCV2 Configurations



TCV3: Configuration of Altronix Power Supply and/or Sub-Assembly Boards and CDVI Modules

1. Fasten spacers (provided) to pems that match the hole pattern for Altronix Power Supply/Chargers or Altronix Sub-Assembly boards (Fig. 4, pg. 5). Fasten metal spacers in the correct locations to provide proper grounding, see below (Fig. 4, pg. 5).
Note: Altronix sub-assembly positions can accommodate two (2) PD4UL/PD4ULCB, PD8UL/PD8ULCB or MOM5.
2. Mount boards to spacers utilizing 5/16" pan head screws (provided) (Fig. 4a, pg. 5).
3. Mount appropriate CDVI A22K/A22NB/ADH10 modules into the correct positions (Fig. 4, pg. 5) by positioning spacers over appropriate holes on the backplane and depress down on board to secure spacer to the backplane (Fig. 4, 4b, 4c, pg. 5).
Note: CDVI A22K/A22NB/ADH10 modules have one (1) RJ45 jack each. Please make sure that they are mounted correctly, as shown in Fig. 4 below.
4. TCV3 backplane installation: refer to note below drawing and Fig. 4d, pg. 5.
5. Fasten TCV3 backplane to Trove3 enclosure utilizing pan head screws (provided).

Fig. 4 - Trove3CV3/TCV3 Configurations



Fig. 4a

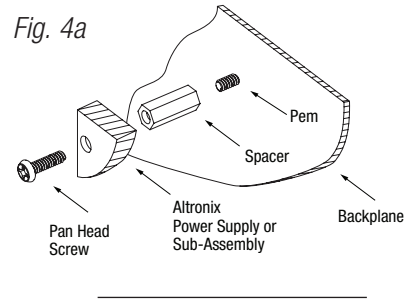


Fig. 4b

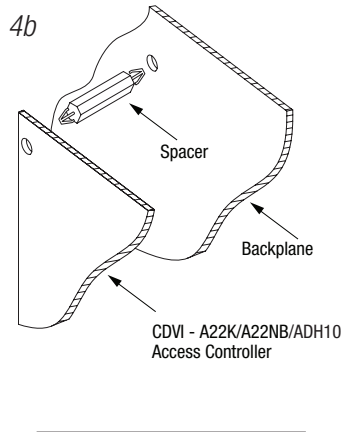


Fig. 4c

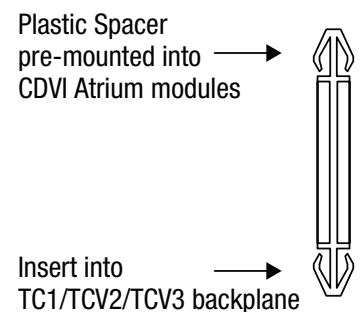
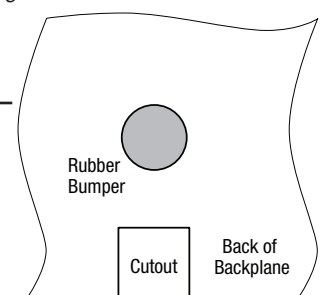


Fig. 4d



Note: TCV3 bumper installation.

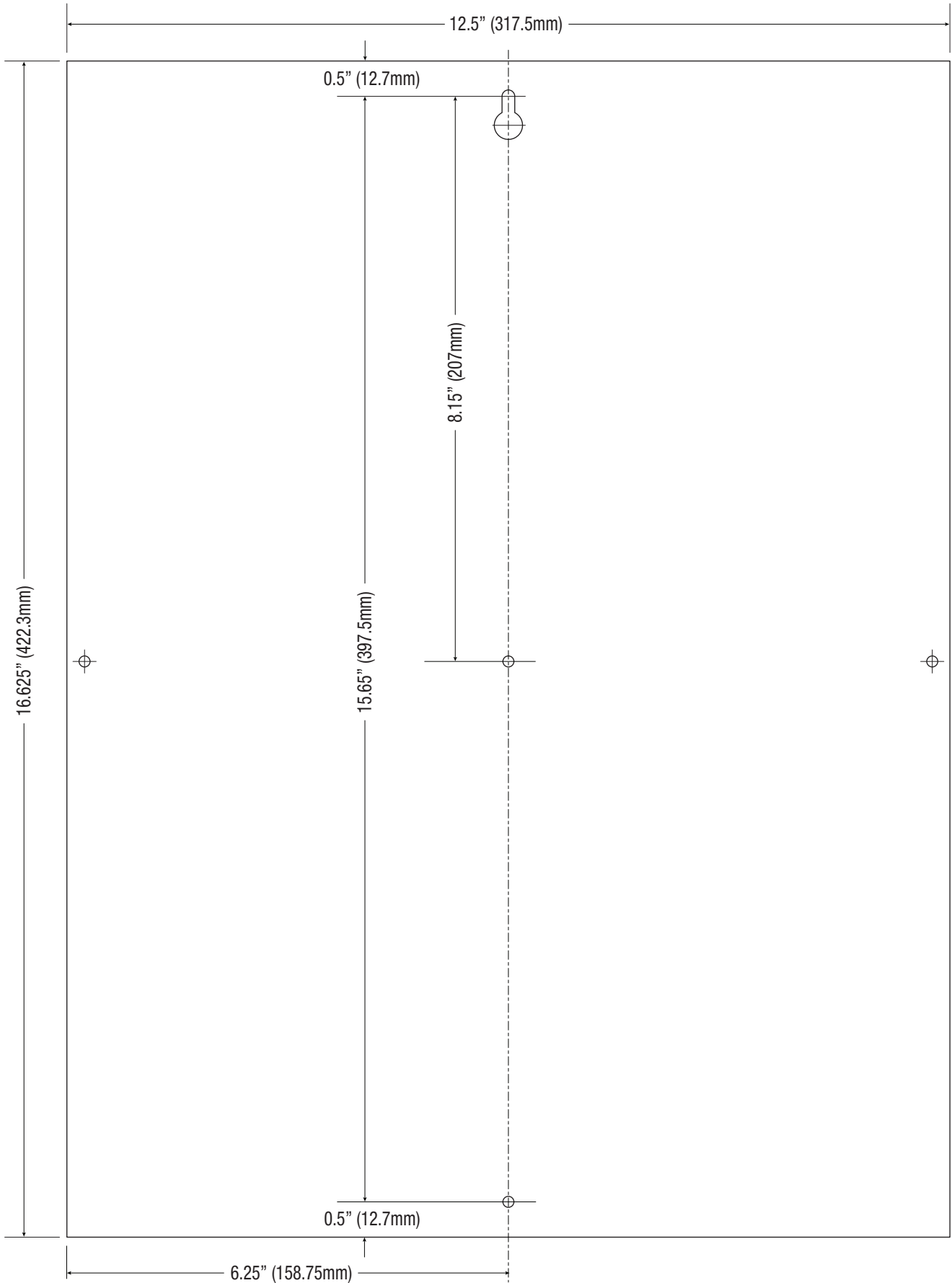
Prior to mounting TCV3 install rubber bumpers (included) to the back of backplane, one (1) on top and one (1) on bottom, approximately 1" from the cutouts (Fig. 4d, pg. 5).

Bumpers are pre-installed in Trove3CV3

Notes:

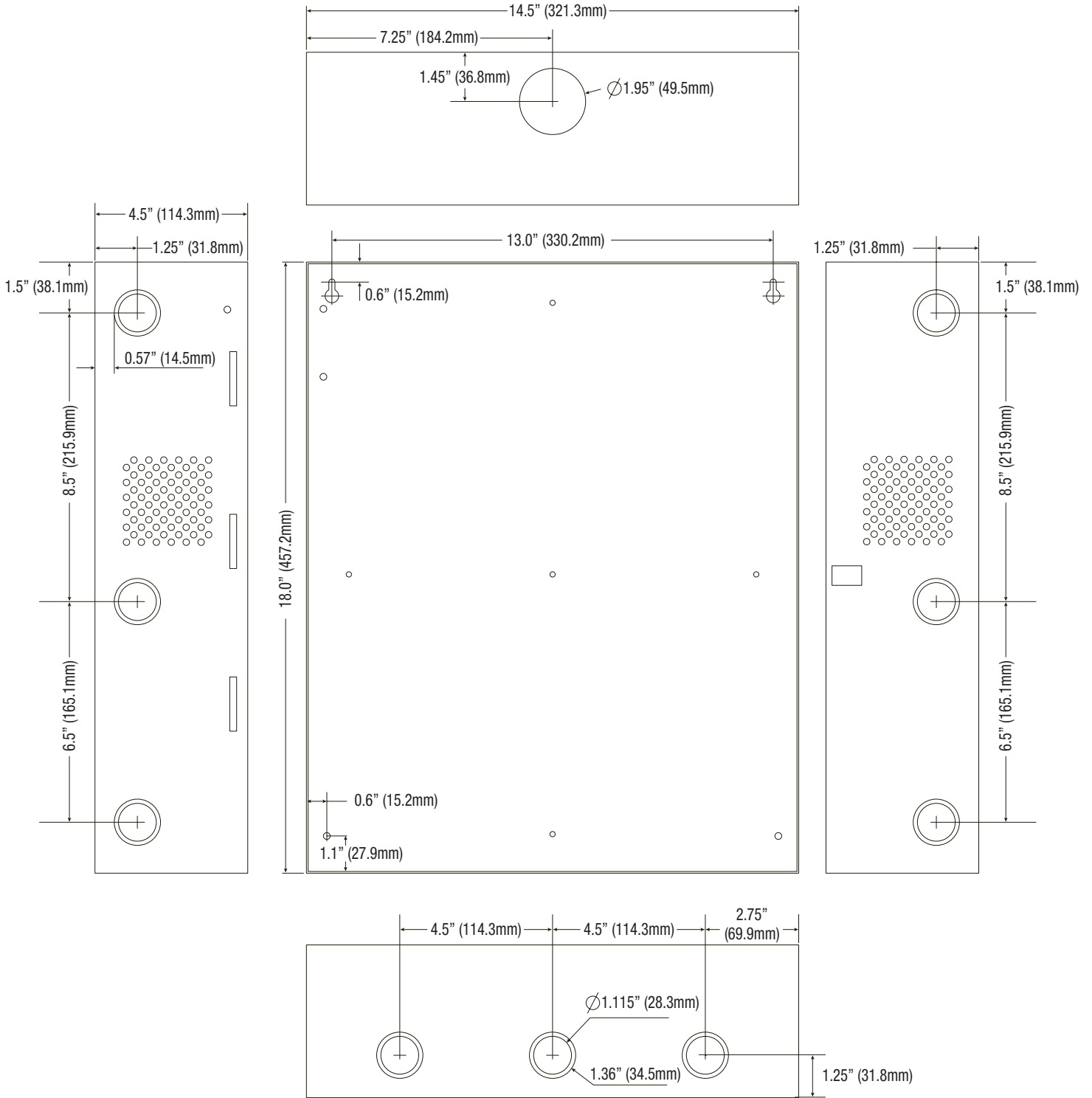
TC1 Dimensions

16.625" x 12.5" x 0.3125" (422.3mm x 317.5mm x 7.9mm)



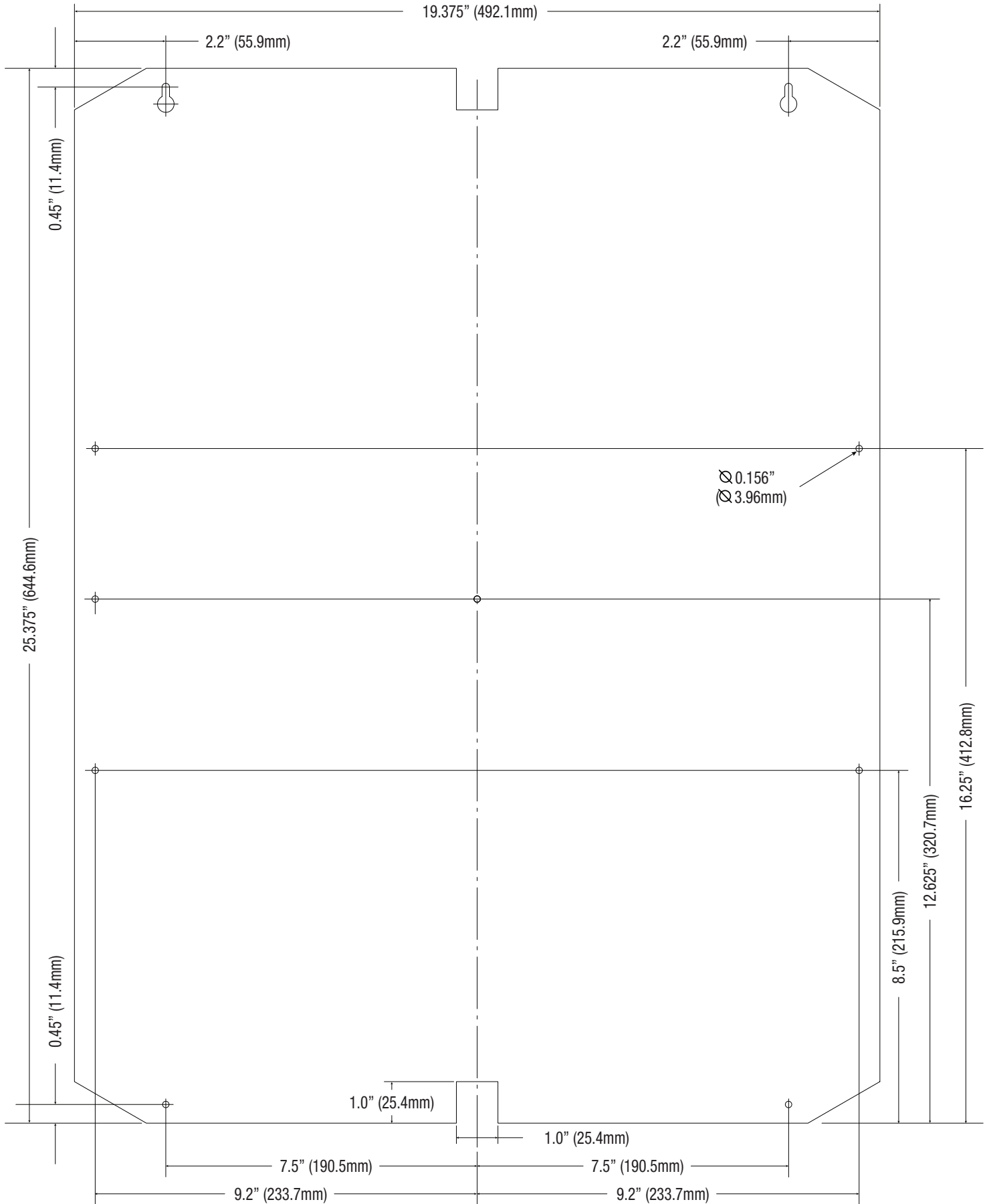
Trove1C1 Enclosure Dimensions (H x W x D):

18" x 14.5" x 4.625" (457mm x 368mm x 118mm)



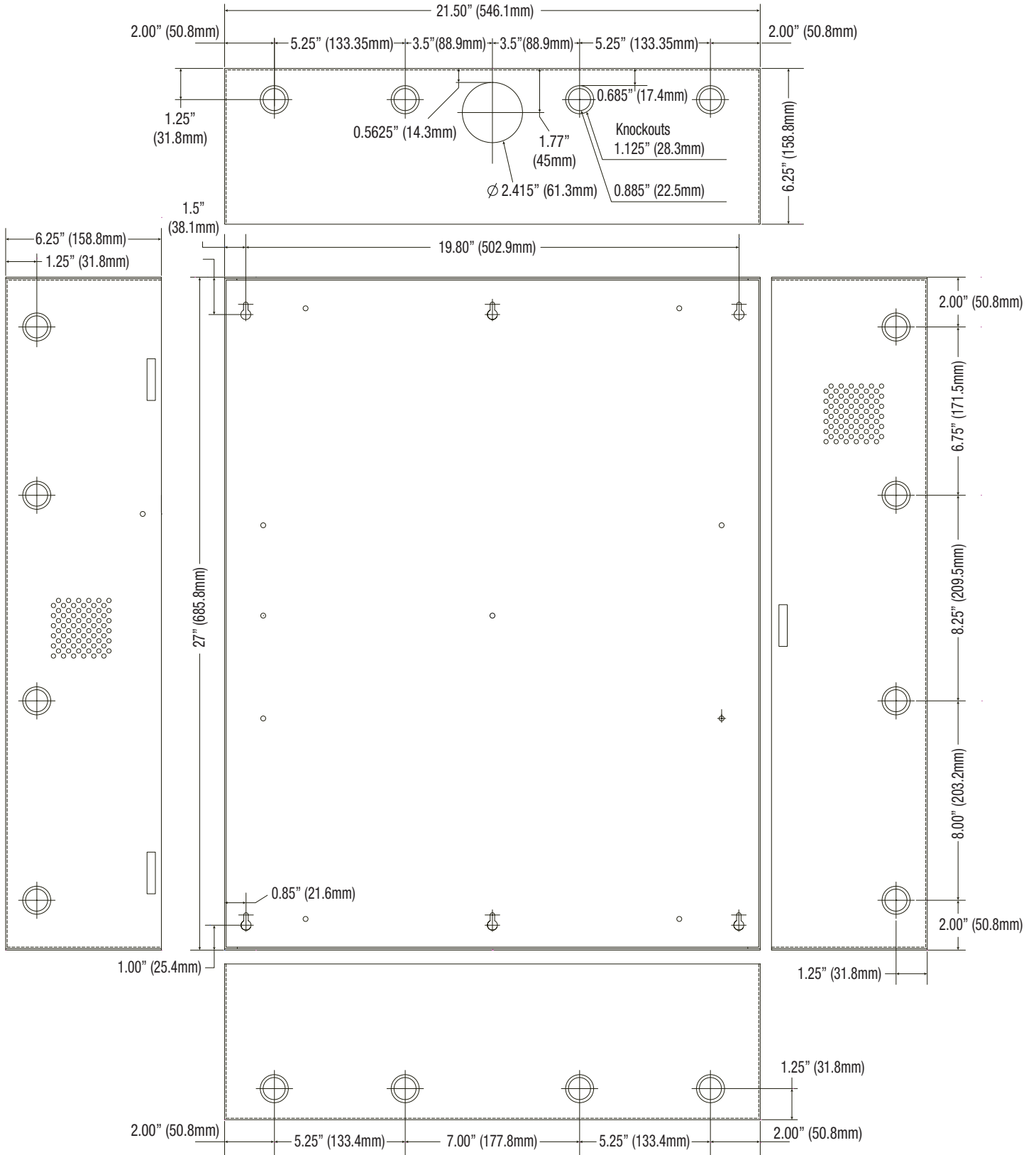
TCV2 Dimensions

25.375" x 19.375" x 0.3125" (644.5mm x 482.6mm x 7.9mm).



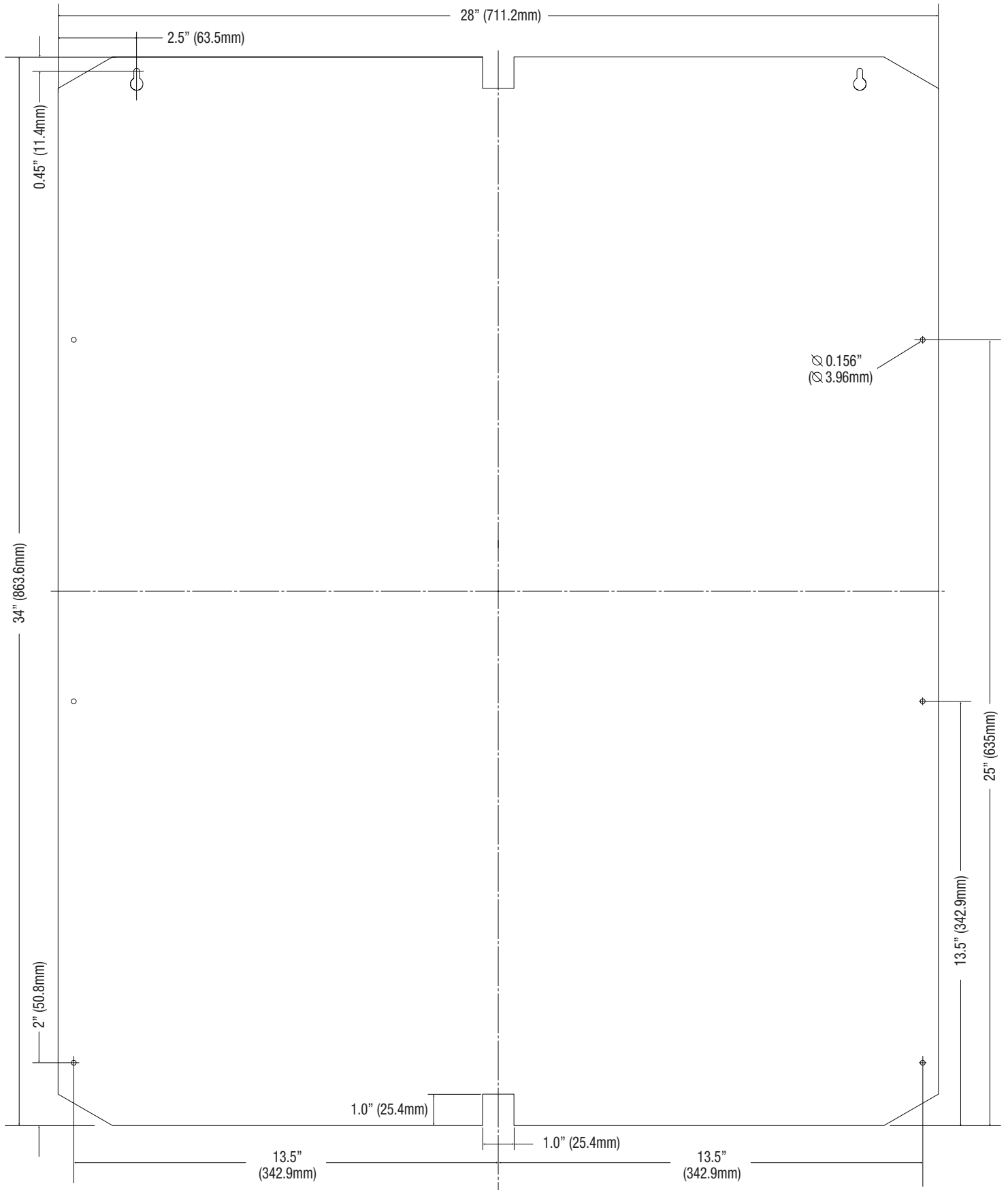
Trove2CV2 Enclosure Dimensions (H x W x D):

27.25" x 21.75" x 6.5" (692.15mm x 552.5mm x 165.1mm)



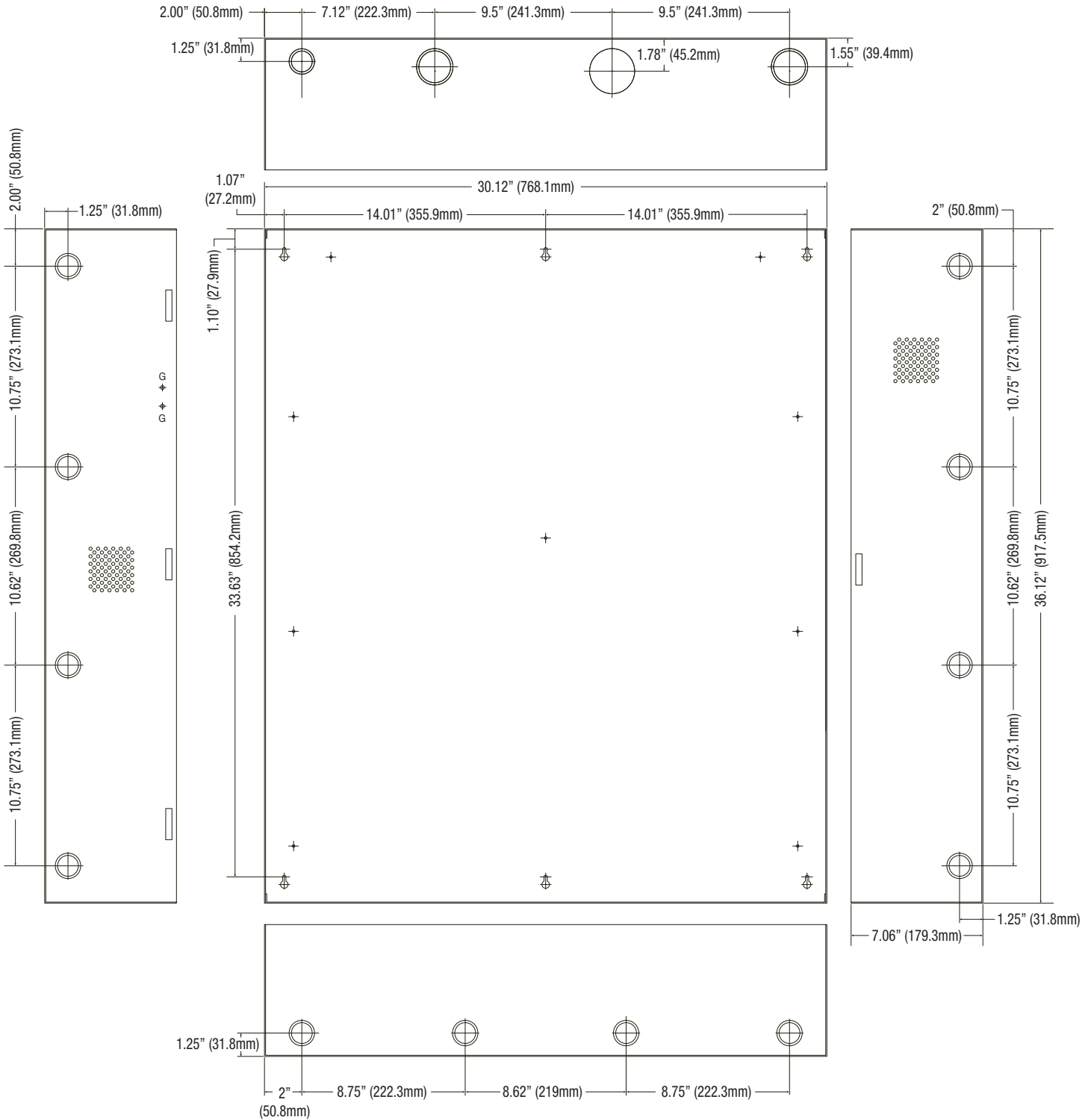
TCV3 Dimensions

34" x 28" x 0.3125" (863.6mm x 711.2mm x 7.9mm)



Trove3CV3 Enclosure Dimensions (H x W x D approximate):

36.12" x 30.125" x 7.06" (917.5mm x 768.1mm x 179.3mm)



Altronix is not responsible for any typographical errors.

140 58th Street, Brooklyn, New York 11220 USA | phone: 718-567-8181 | fax: 718-567-9056

web site: www.altronix.com | e-mail: info@altronix.com | Lifetime Warranty

II Trove / CDVI

I24U

