

# NetWaySP41BTWPX

4-port Outdoor Hardened 4PPoE (802.3bt) Switch with Integral Power



Altronix NetWaySP41BTWPX supports up to 90W per port (240W total power) for deploying the latest high-powered IP devices in remote locations. It is equipped with two (2) 1Gb SFP ports to transmit data at long distances and four (4) 802.3bt compliant Ethernet ports. NetWaySP41BTWPX accommodates single/multi-mode fiber or composite cable (fiber+copper) to simultaneously deliver power and data from NetWay Spectrum head-end media converters/injectors.



NetWaySP41BTWPX

## Key Features

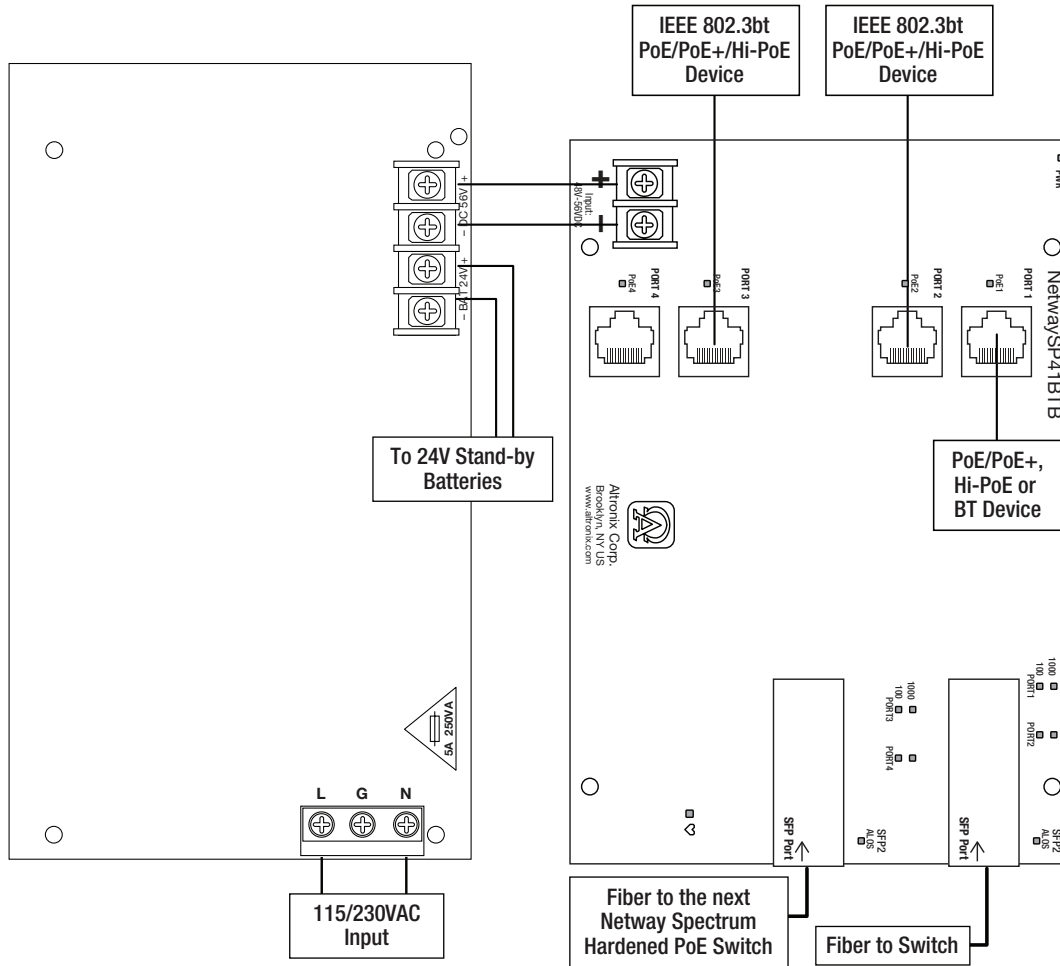
- Four (4) 10/100/1000 Mbps Ethernet ports rated at 90W each (limited to 240W total power)
- IEEE 802.3af, 802.3at, 802.3bt compliant
- Two (2) Gigabit SFP ports
- Built-in charger for LiFePO<sub>4</sub> (Lithium Iron Phosphate) or sealed lead acid or gel type batteries
- CE European Conformity
- NEMA 4/4X, IP66-11 enclosure accommodates batteries

## Similar products

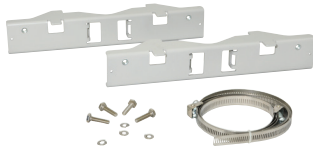
<b>NetWaySP41BTWP</b>	Outdoor 4-port Hardened 4PPoE Switch with Integral Power in NEMA 4/4X, IP66-11 enclosure
<b>NetWaySP41BTWPN</b>	Outdoor 4-port Hardened 4PPoE Switch in NEMA 4/4X, IP66-11 enclosure
<b>NetWaySP41BTX</b>	Indoor 4-port Hardened 4PPoE Switch in NEMA 1 Rated indoor enclosure
<b>NetWaySP41BTPL</b>	4-port Hardened 4PPoE Switch with Integral Power on a Backplane
<b>NetWaySP41BTB</b>	4-port Hardened 4PPoE Switch (board only)

### Lifetime Warranty

## Typical Application



## Accessories (order separately)



### PMK2 - Pole Mount Kit

PMK2 pole mount kit is designed to simplify installation of outdoor units. It accommodates 2" - 8" (diameter) poles.



### SFP Modules - Hot pluggable Transceivers

- P1MM** Multi-Mode SFP Module for distances up to 550m.
- P1SM10** Single-Mode SFP Module for distances up to 10km.
- P1AB2K** Single Strand SFP Module for distances up to 2km.
- P1GCE** Copper SFP Module for distances up to 100m.



### NetWaySP1A - Ethernet over Fiber Media Converter/Repeater for Applications Requiring an Additional SFP (Fiber) Port

NetWaySP1A PoE powered media converter/repeater converts 10/100/1000 Mbps to Fiber (1000Base-X/SX/LX).

### Lifetime Warranty



# NetWaySP41BTWPX

4-port Outdoor Hardened 4PPoE (802.3bt) Switch with Integral Power



## Specifications

### Input

Voltage 115VAC, 60Hz, 1.8A or  
230VAC, 50/60Hz, 1A

Fusing 5A/250V

### Power Output

Maximum Power Four (4) PoE ports rated at 90W each,  
240W total power  
IEEE 802.3af (15W),  
IEEE 802.3at (30W),  
IEE 802.3bt (90W) compliant  
Integral surge protection

**SFP Ports:** Two (2) Gigabit SFP ports

**Ethernet Ports:** Four (4) 10/100/1000 Mbps ports  
Connectivity: RJ45, auto-crossover  
Wire type: 4-pair CAT5e or higher  
structured cable  
Speed: 10/100/1000 Mbps,  
half/full duplex, auto negotiation

### Battery Charging

Type 24VDC charging circuit charges  
LiFePO<sub>4</sub> (Lithium Iron Phosphate) or  
sealed lead acid or gel type batteries  
(within enclosure,  
**ventilation is required**)

**Failover** Upon AC loss, instantaneous  
Batteries are sold separately

### Indicators (LED)

Individual PoE On LEDs for each port  
Individual IP Link status, 10/100/1000 Base-T/active  
LEDs for each port  
ALOS LED indicates fiber connection for SFP port  
Heartbeat LED indicates proper operation of the unit

### Agency Listings

CE European Conformity

### Physical and Environmental

#### Dimensions (H x W x D)

Enclosure: 17.53" x 15.3" x 6.67"  
(445.3mm x 388.6mm x 169.4mm)  
Shipping: 21.375" x 14.5" x 9.5"  
(542.9mm x 374.7mm x 241.3mm)

NEMA 4/4X, IP66-11 Rated enclosure for outdoor use  
Accommodates four (4) 12VDC/4AH batteries (48V of backup)

#### Weight (approx.)

Product: 15 lb. (6.8 kg)  
Shipping: 17.5 lb. (7.9 kg)

#### Temperature

Operating:  
240W: - 40°C to 55°C (- 40°F to 131°F)  
180W: - 40°C to 65°C (- 40°F to 149°F)  
150W: - 40°C to 75°C (- 40°F to 167°F)  
Storage: - 40°C to 85°C (- 40°F to 185°F)

Relative Humidity 85% +/- 5%

BTU/Hr (approx.) 122 BTU/Hr.

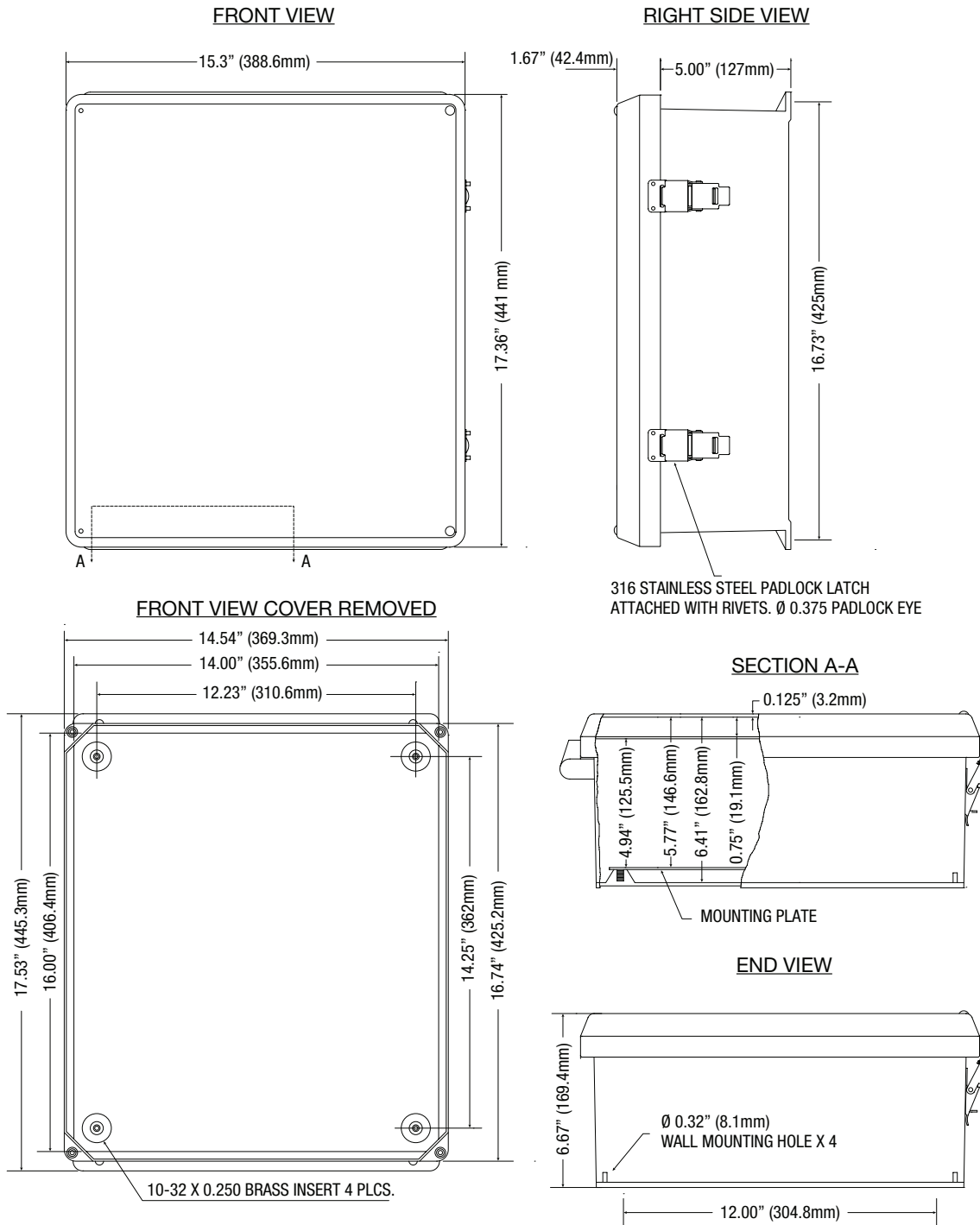
Operating Altitude: - 304.8 to 2,000m

## Lifetime Warranty

## Dimensions and Drawing

Dimensions (H x W x D approximate)

17.53" x 15.3" x 6.67" (445.3mm x 388.6mm x 169.4mm)



### Lifetime Warranty

Altronix Corporation | 140 58th St | Brooklyn, NY 11220 USA

phone: +1 718.567.8181 | fax: +1 718.567.9056 | email: info@altronix.com | www.altronix.com