

NetWay5BTWPX

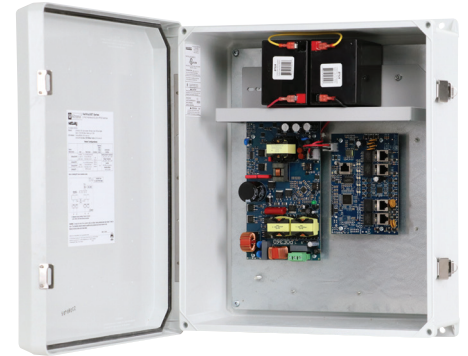
5-port Hardened 802.3bt 4PPoE Switch with Power Supply/Charger



Altronix NetWay5BTWP powered hardened 4PPoE switch provides a network data uplink and four (4) IEEE802.3af/3at/3bt PoE ports rated at 90W each, with 240W total power. It can power IP devices, such as PoE access controllers and cameras. Other applications may include integrating network door access systems with video surveillance.

Enclosure accommodates two (2) 12VDC/4AH batteries (proper ventilation is required).

For managed switch see model NetWay5BTQWPX.



NetWay5BTWPX

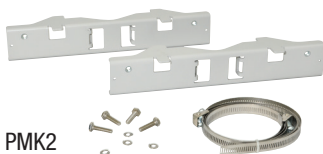
Key Features

- Four (4) IEEE802.3af/3at/3bt PoE ports rated at 90W each
- IEEE802.3af/3at/3bt compliant
- 240W total power
- Built-in charger for sealed lead acid or gel or LiFePO₄ (lithium iron phosphate) type batteries
- Automatic switch over to stand-by battery when AC fails
- PoE activity LED indicators
- NEMA4/4X, IP66 Rated enclosure for outdoor use
- Accommodates four (4) 12VDC/4AH batteries
- CE European Conformity
- Lifetime Warranty

Similar products

NetWay5BTWP	Outdoor 5-port PoE+ Hardened Switch in NEMA 4/4X, IP66-11 enclosure
NetWay5BTWPN	Outdoor 5-port PoE+ Hardened Switch only in NEMA 4/4X, IP66-11 enclosure
NetWay5BTX	Indoor 5-port PoE+ Hardened Switch in NEMA 1 Rated indoor enclosure
NetWay5BTPL	5-port PoE+ Hardened Switch on a backplane
NetWay5BT	5-port PoE+ Hardened Switch (board only)

Accessories (order separately)



PMK2

PMK2 - Pole Mount Kit

PMK2 pole mount kit is designed to simplify installation of outdoor units. It accommodates 2" - 8" (diameter) poles.

Lifetime Warranty

Specifications

Input

Voltage	115VAC, 60Hz, 1.8A or 230VAC, 50/60Hz, 1A
Input Fuse	5A/250V

Power Output

Maximum Power	Four (4) 1IEEE802.3af/3at/3bt PoE ports rated at 90W each IEEE802.3af/3at/3bt compliant 240W total power Integral surge protection
---------------	--

Uplink Port Single data port

Ethernet Ports

Five (5) 10/100/1000 Mbps ports
Connectivity: RJ45, auto-crossover
Wire type: 4-pair CAT5e or higher structured cable
Distance: up to 100m
Speed: 10/100/1000 Mbps, half/full duplex, auto negotiation

Battery Charging

Type 24VDC charging circuit charges
LiFePO₄ (Lithium Iron Phosphate) or
sealed lead acid or gel type batteries

Failover Upon AC loss, instantaneous
Batteries are sold separately

Indicators (LED)

Individual PoE On LEDs for each port
Individual IP Link status, 10/100Base-T/active LEDs for each port

Agency Listings

CE European Conformity

Physical and Environmental

Dimensions (H x W x D)

Enclosure:	17.53" x 15.3" x 6.67" (445.3mm x 388.6mm x 169.4mm)
Shipping:	21.375" x 14.5" x 9.5" (542.9mm x 374.7mm x 241.3mm)

NEMA 4/4X, IP66-11 Rated enclosure for outdoor use
Accommodates four (4) 12VDC/4AH batteries

Weight (approx.)

Product:	10.32 lb. (4.68 kg)
Shipping:	11.7 lb. (5.3 kg)

Temperature

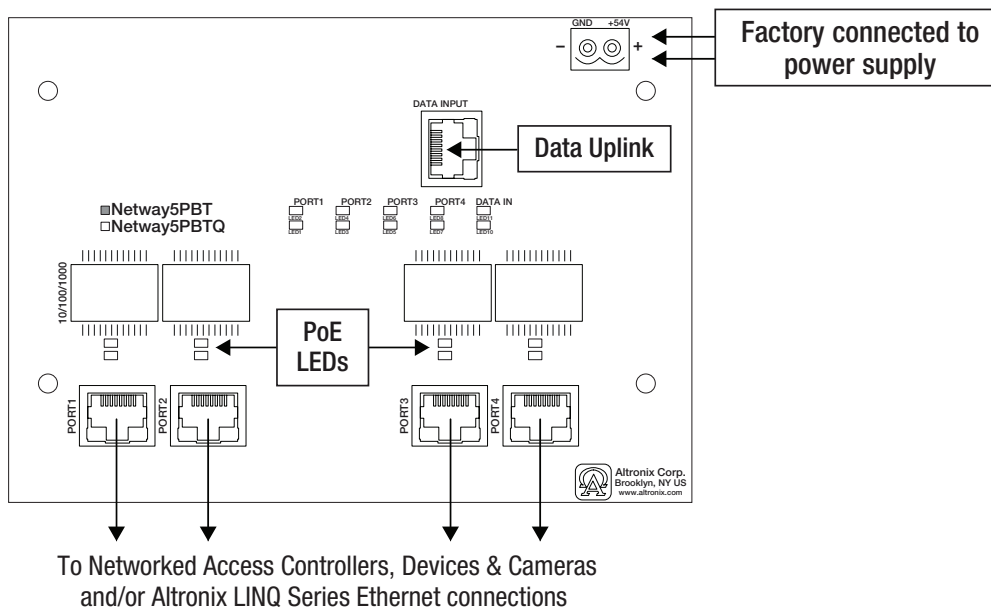
Operating:	
240W:	- 30°C to 55°C (- 22°F to 131°F)
180W:	- 30°C to 65°C (- 22°F to 149°F)
150W:	- 30°C to 75°C (- 22°F to 167°F)
Storage:	- 40°C to 85°C (- 40°F to 185°F)

Relative Humidity 85% +/- 5%

BTU/Hr (approx.) 123 BTU/Hr.

Operating Altitude: - 304.8 to 2,000m

Typical Application



Lifetime Warranty

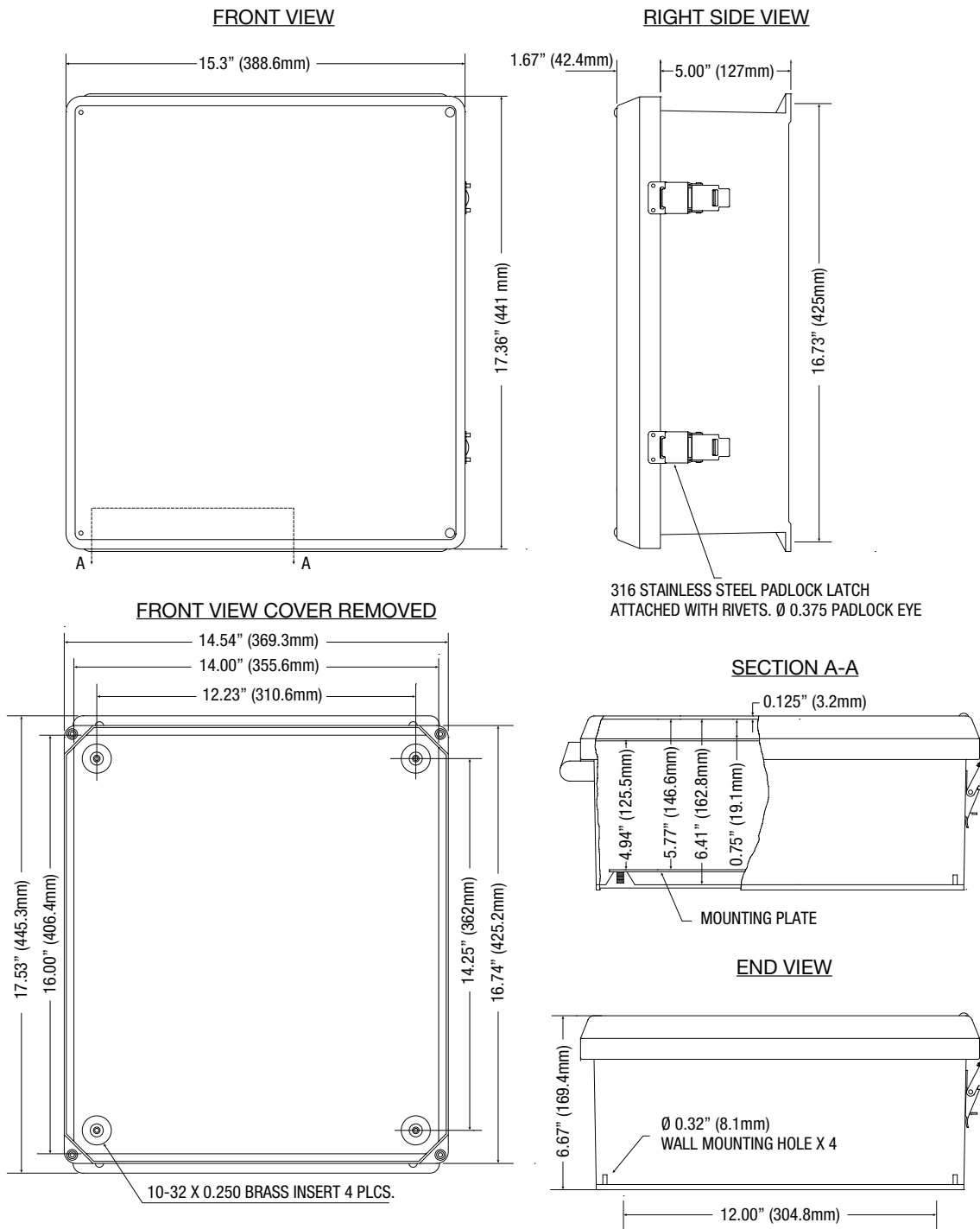
Altronix Corporation | 140 58th St | Brooklyn, NY 11220 USA

phone: +1 718.567.8181 | fax: +1 718.567.9056 | email: info@altronix.com | www.altronix.com

Dimensions and Drawing

Dimensions (H x W x D approximate)

17.53" x 15.3" x 6.67" (445.3mm x 388.6mm x 169.4mm)



Lifetime Warranty